

XECRO

www.xecro.com



Most Reliable Sensor Technology

- *electric field*
- *inductive*
- *capacitive*
- *optical*

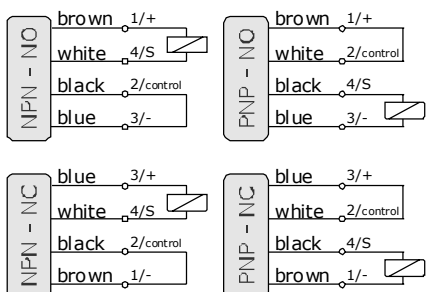




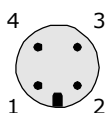
Photoelectric Sensors Cubic 50x50

OPTICAL

Schematic



Stecker M12



The use of this sensors is not permitted if the safety of people is relying upon it.

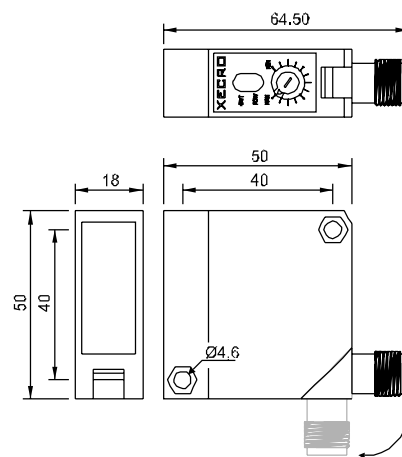
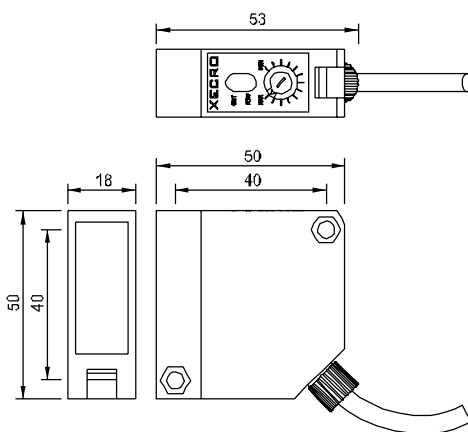
50x50

50x50



2000 mm

2000 mm



SPECIFICATIONS

	Diffuse Reflective		Diffuse Reflective	
Operating Distance	300... 2000 mm	300... 2000 mm	300... 2000 mm	300... 2000 mm
Output Function	PNP, NPN, NO, NC	Relay, NO + NC	PNP, NPN, NO, NC	Relay, NO NC
Operating Voltage	10... 30 VDC	24... 240 VDC/VAC	10... 30 VDC	24... 240 VDC/VAC
Current Consumption	< 37 mA	< 2.2 W	< 37 mA	< 2.2 W
Output Current	200 mA, self-resetting	1A / 230VAC	200 mA, self-resetting	1A / 230VAC
Voltage Drop	< 2 V @ 200 mA	< -	< 2 V @ 200 mA	-
Switching Frequency	500 Hz	10 Hz	500 Hz	10 Hz
Response Time	< 1 ms	< 25 ms	< 1 ms	< 25 ms
Hysteresis	~10%	~10%	~10%	~10%
Operating Temperature	-25... 55 °C	-25... 55 °C	-25... 55 °C	-25... 55 °C
Ambient Light Immunity	10.000 lux	10.000 lux	10.000 lux	10.000 lux
Protection Class	IP65	IP65	IP65	IP65
Housing Material	ABS, Lens PMMA	ABS, Lens PMMA	ABS, Lens PMMA	ABS, Lens PMMA
Connected	PVC, 5-pole, 2m	PVC, 5-pole, 2m	M12, 4-pole	M12, 4-pole
Operating-LED	Integrated	Integrated	Integrated	Integrated

Article Code

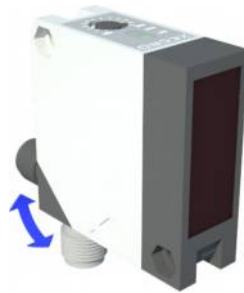
PNP, NPN, NO, NC programmable	OD50 D2PNCO/A2P	OD50 D2PNCO/M12
Relay SPST, NO		OD50 D2AO/M12
Relay SPST, NC		OD50 D2AC/M12
Relay SPDT, NO + NC	OD50 D2ACO/A2P	
Transmitter		

Mouting Bracket	included	included	included	included
Recommended Connecting Cable	-	-	M12/4...	M12/4...

50x50

50x50

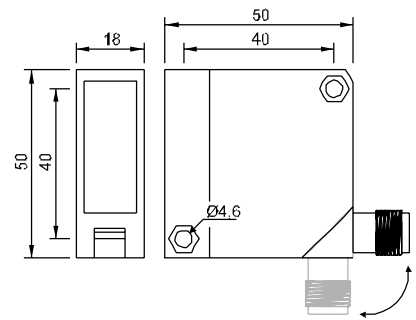
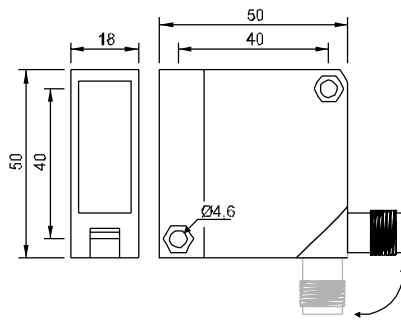
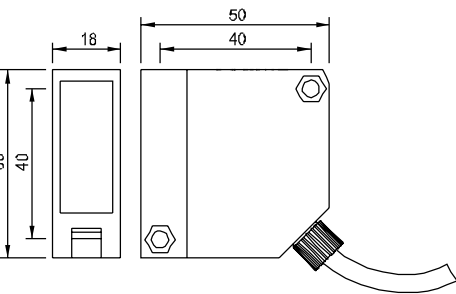
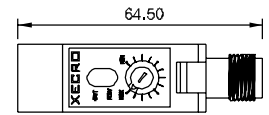
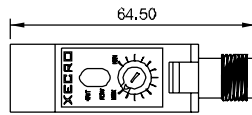
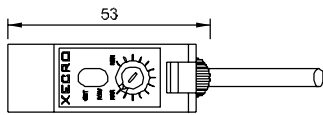
50x50



6000 mm

6000 mm

18000 mm



Polarized Reflective

Polarized Reflective

Through Beam

Polarized Reflective		Polarized Reflective		Through Beam	
6000 mm	6000 mm	6000 mm	6000 mm	18000 mm	18000 mm
PNP, NPN, NO, NC	Relay, NO + NC	PNP, NPN, NO, NC	Relay, NO NC	PNP, NPN, NO, NC	Relay, NO NC
10... 30 VDC	24... 240 VDC/VAC	10... 30 VDC	24... 240 VDC/VAC	10... 30 VDC	24... 240 VDC/VAC
< 37 mA	< 2.2 W	< 37 mA	< 2.2 W	< 37 mA	< 2.2 W
200 mA, self-resetting	1A / 230VAC	200 mA, self-resetting	1A / 230VAC	200 mA, self-resetting	1A / 230VAC
< 2 V @ 200 mA	-	< 2 V @ 200 mA	-	< 2 V @ 200 mA	-
500 Hz	10 Hz	500 Hz	10 Hz	500 Hz	10 Hz
< 1 ms	< 25 ms	< 1 ms	< 25 ms	< 1 ms	< 25 ms
~10%	~10%	~10%	~10%	~10%	~10%
-25... 55 °C	-25... 55 °C	-25... 55 °C	-25... 55 °C	-25... 55 °C	-25... 55 °C
10.000 lux	10.000 lux	10.000 lux	10.000 lux	10.000 lux	10.000 lux
IP65	IP65	IP65	IP65	IP65	IP65
ABS, Lens PMMA	ABS, Lens PMMA	ABS, Lens PMMA	ABS, Lens PMMA	ABS, Lens PMMA	ABS, Lens PMMA
PVC, 5-pole, 2m	PVC, 5-pole, 2m	M12, 4-pole	M12, 4-pole	M12, 4-pole	M12, 4-pole
Integrated	Integrated	Integrated	Integrated	Integrated	Integrated

OD50 P6PNCO/A2P

OD50 P6PNCO/M12

OD50 P6AO/M12
OD50 P6AC/M12

OD50 R18PNCO/M12

OD50 R18AO/M12
OD50 R18AC/M12

OD50 P6ACO/A2P

OD50 T18D/M12

OD50 T18A/M12

included

included

included

included

included

included

-

-

M12/4...

M12/4...

M12/4...

M12/4...

XECRO

Xecro Ltd. International
Doehrbruch 24
30559 Hannover, Germany
Fon +49 511 696041040
Fax +49 511 6960410409
info@xecro.com
<http://www.xecro.com>



This catalog has been printed with environmentally friendly material; even if so - think twice before you throw this away.