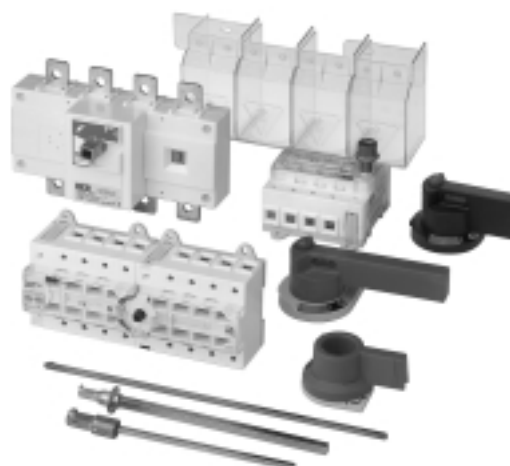


Isolators 79 Series



- On load Isolators to IEC 947-3
- 3, 4, 6 and 8 pole versions
- 63A to 630A
- Door interlocked handles
- 3 padlock positions
- DIN rail and chassis mount versions
- Shaft length 100 - 500mm
- Full range of accessories



Options and ordering codes

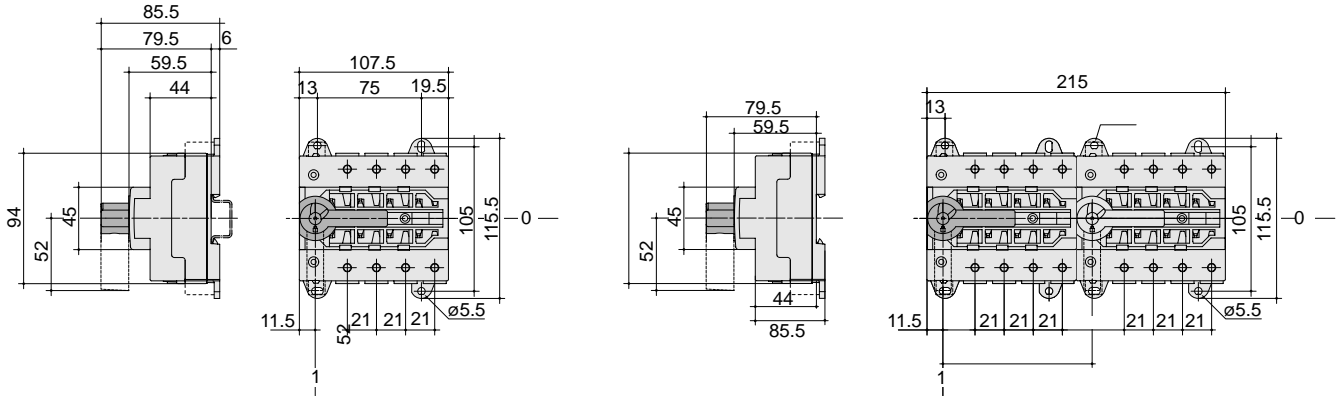
	CM series							MS series						
3 Pole	CM793063	CM793080	CM793100	CM793125	CM793125X	CM793160	CM793200	MS793125	MS793160	MS793200	MS793250	MS793315	MS793400	MS793630
4 Pole	CM794063	CM794080	CM794100	CM794125	CM794125X	CM794160	CM794200	MS794125	MS794160	MS794200	MS794250	MS794315	MS794400	MS794630
6 Pole	CM796063	CM796080	CM796100	CM796125	-	-	-	-	-	-	-	-	-	-
8 Pole	CM798063	CM798080	CM798100	CM798125	-	-	-	-	-	-	-	-	-	-
Rating														
AC21 - 400V Amps	63	80	100	125	125	160	200	125	160	200	250	315	400	630
AC22 - 400V Amps	63	80	100	125	125	160	200	125	160	200	250	315	400	630
AC23 - 400V Amps	63	63	63	63	125	160	200	125	160	200	250	315	400	500
Handles														
Black – Rotary Door Interlock		79H0002				79H0002					-			
Red/Yellow – Rotary Door Interlock						79H0003				79H0003	-			
Black – Pistol Door Interlock		79H0005				79H0005				79H0008				
Red/Yellow – Pistol Door Interlock						79H0006				79H0006	79H0009			
Shaft Extensions														
Rotary Handle versions														
200mm						79E0001				79E0003	-			
400mm						79E0002				79E0004	-			
Pistol Handle														
120mm										79E0009				
200mm		79E0005				79E0007				79E0010				
250mm										79E0011				
300mm		79E0006				79E0008								
320mm										79E0012				
500mm										79E0013				
Protection Covers														
Upper Terminals 3 pole		N/A				79S0001		79S0002		79S0004			79S0006	
4 pole		N/A				79S0001		79S0010		79S0012			79S0014	
Lower Terminals 3 pole		N/A				79S0001		79S0003		79S0005			79S0007	
4 pole		N/A				79S0001		79S0011		79S0013			79S0015	
Cable Clamps														
3 Pole										79C0001			-	
4 Pole										79C0002			-	
Auxiliary Contacts														
1st NO + NC		79A0001				79A000				79A0002				
2nd NO + NC		79A0001				79A0001				79A0003				

Specification

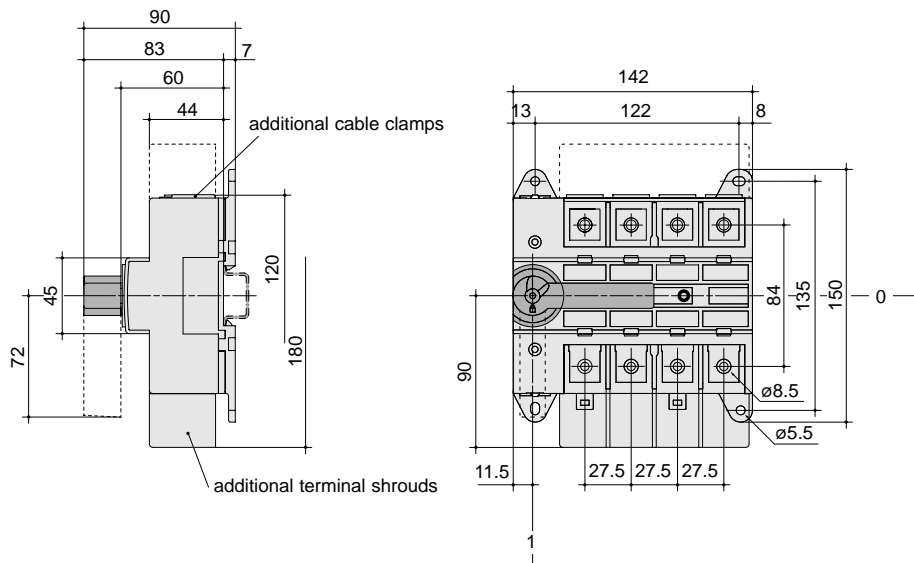
CM79 SERIES		CM793063 CM794063 CM796063 CM798063	CM793080 CM794080 CM796080 CM798080	CM793100 CM794100 CM796100 CM798100	CM793125 CM794125 CM796125 CM798125	CM793125X CM794125X - -	CM793160 CM794160 - -	CM793200 CM794200 - -
Rated insulation voltage	Ui	690	690	690	690	690	690	690
Rated thermal current	Ith	63A	80A	100A	125A	125A	160A	200A
Ratings @ 400VAC								
AC21B	A	63	80	100	125	125	160	200
AC22B	A	63	80	100	125	125	160	200
AC23B	A	63	63	63	63	125	160	200
Making capacity @ 400VAC AC23B A Rms		630	630	630	630	1250	1600	2000
Breaking capacity @ 400VAC AC23B A Rms		504	504	504	504	1000	1280	1600
Fuse protected short-circuit withstand (kA Rms prospective)		100	100	100	50	50	50	50
Rated peak withstand current kA peak		12	12	12	12	16	16	16
Mechanical life		20000	20000	20000	20000	10000	10000	10000
Maximum cable size mm ²		35	35	35	35	70	70	70
Weight Kg 3P		0.6	0.6	0.7	0.7	0.9	0.9	0.9
Kg 4P		0.7	0.7	0.8	0.8	1	1	1
Kg 6P		1.2	1.2	1.4	1.4	1.8	1.8	1.8
Kg 8P		1.4	1.4	1.6	1.6	2	2	2
MS79 SERIES		MS793125 MS794125	MS793160 MS794160	MS793200 MS794200	MS793250 MS794250	MS793315 MS794315	MS793400 MS794400	MS793630 MS794630
Rated insulation voltage	Ui	800	800	800	800	1000	1000	1000
Rated thermal current	Ith	125A	160A	200A	250A	315A	400A	630A
Ratings @ 400VAC								
AC21	A	125	160	200	250	315	400	630
AC22	A	125	160	200	250	315	400	630
AC23	A	125	160	200	250	315	400	500
Making capacity @ 400VAC AC23 A Rms		1250	1250	2000	2500	3150	4000	4000
Breaking capacity @ 400VAC AC23 A Rms		1000	1280	1600	2000	2520	3200	4000
Fuse protected short-circuit withstand (kA Rms prospective)		100	100	100	100	100	100	70
Rated peak withstand current kA peak		7	7	9	9	26	13	13
Mechanical life		10000	10000	10000	10000	5000	5000	5000
Maximum cable size mm ²		95	95	95	150	240	240	240
Weight Kg 3P		1	1.5	2	2	3.5	3.5	3.5
Kg 4P		1.5	1.5	2	2	4	4	4.5

Dimensions (mm)

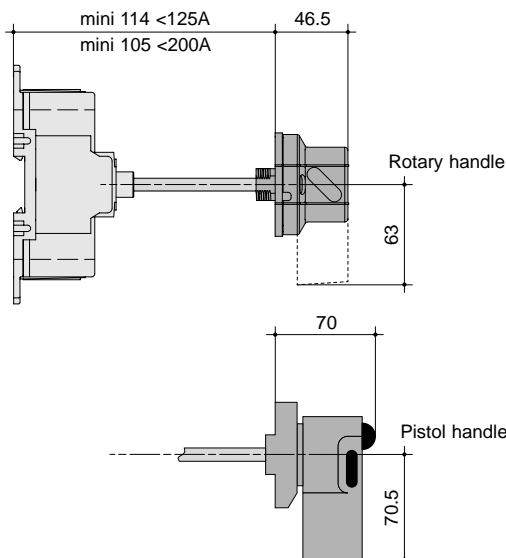
CM ratings 63-125A



CM ratings 125X-200A



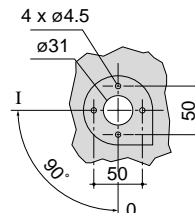
Front external operation



Door drilling details for rotary handle

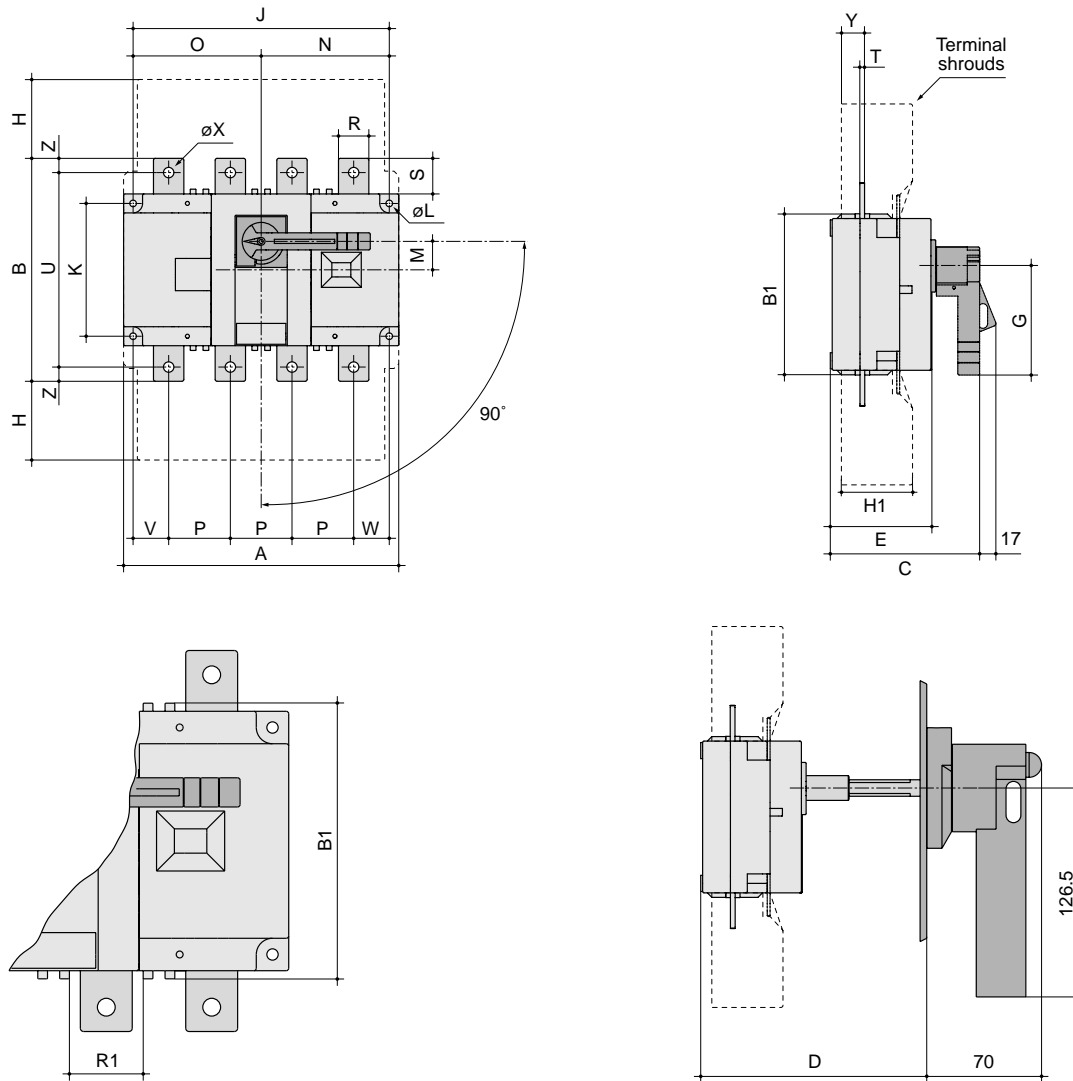


Door drilling details for pistol handle



Dimensions (mm)

MS 125-630A



RATING (A)	OVERALL DIMENSIONS										SWITCH MOUNTING						CONNECTION TERMINALS										
	A	B	B ₁	C	D	E	F	G	H	H ₁	J	K	øL	M	N	O	P	R	R ₁	S	T	U	V	W	øX	Y	Z
3 x 125	140	135	93	120	124 to 354	65	48.5	80	50	40	120	65	5.5	15	75	45	36	20	20.5	25	3.5	115	28	20	9	20.5	10
4 x 125	170	135	93	120	124 to 354	65	48.5	80	50	40	150	65	5.5	15	75	75	36	20	20.5	25	3.5	115	22	20	9	20.5	10
3 x 160	140	135	93	120	124 to 354	65	48.5	80	50	40	120	65	5.5	15	75	45	36	20	20.5	25	3.5	115	28	20	9	20.5	10
4 x 160	170	135	93	120	124 to 354	65	48.5	80	50	40	150	65	5.5	15	75	75	36	20	20.5	25	3.5	115	22	20	9	20.5	10
3 x 200	180	160	108	130	135 to 365	75	58.5	115	65	50	160	80	5.5	20	105	55	50	25	25.5	30	3.5	130	33	27	11	22.5	15
4 x 200	230	160	108	130	135 to 365	75	58.5	115	65	50	210	80	5.5	20	105	105	50	25	25.5	30	3.5	130	33	27	11	22.5	15
3 x 250	180	160	108	130	135 to 365	75	58.5	115	60	50	160	80	5.5	20	105	55	50	25	25.5	30	3.5	130	33	27	11	22.5	15
4 x 250	230	160	108	130	135 to 365	75	58.5	115	60	50	210	80	5.5	20	105	105	50	25	25.5	30	3.5	130	33	27	11	22.5	15
3 x 315	230	235	170	165	167 to 397	110	83.5	115	82.5	75	210	140	7	30	135	75	65	32	45.5	37.5	5	205	42.5	37.5	13	36	15
4 x 315	290	235	170	165	167 to 397	110	83.5	115	82.5	75	270	140	7	30	135	135	65	32	45.5	37.5	5	205	37.5	37.5	13	36	15
3 x 400	230	235	170	165	167 to 397	110	83.5	115	82.5	75	210	140	7	30	135	75	65	32	45.5	37.5	5	205	42.5	37.5	13	36	15
4 x 400	290	235	170	165	167 to 397	110	83.5	115	82.5	75	270	140	7	30	135	135	65	32	45.5	37.5	5	205	37.5	37.5	13	36	15
3 x 630	230	260	170	165	167 to 397	110	83.5	115	70	75	210	140	7	30	135	75	65	40	45.5	50	5	220	42.5	37.5	13	36	20
4 x 630	290	260	170	165	167 to 397	110	83.5	115	70	75	270	140	7	30	135	135	65	40	45.5	50	5	220	37.5	37.5	13	36	20